

N



EAN code:
OS-1: 8595188193702
DS-2: 8595188193719

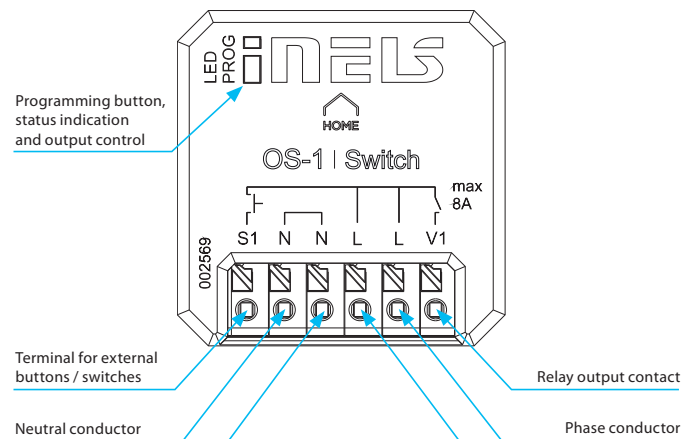
Technical parameters	OS-1	DS2
Supply voltage:	110 - 230 V AC	
Supply voltage frequency:	50-60 Hz	
Apparent input:	7 VA / $\cos \varphi = 0.1$	
Dissipated power:	0.7 W	
Supply voltage tolerance:	+10 %; -15 %	
Output		
Number of contacts:	1x switching	2x switching
Rated current:	8 A / AC1	10 A / AC1
Switching power:	2000 VA / AC1	
Peak current:	I _{peak} < 110A 300us / max. input capacity 125 uF	
Switching voltage:	250 V AC1	
Mechanical service life:	1x10 ⁷	
Electrical service life (AC1):	1x10 ⁵	
Control		
Wireless:	12-channels	24-channels
Number of functions:	6	
Communication protocol:	RFIO3	
Frequency:	866-922 MHz	
Manual control:	button PROG (ON/OFF)	
External button / switch:	yes	
Range:	in open space up to 200 m	
Other data		
Operating temperature:	-15 to + 50 °C	
Operating position:	any	
Mounting:	free at lead-in wires	
Protection:	IP40	
Overvoltage category:	III.	
Contamination degree:	2	
Connection:	screwless terminals	
Connecting conductor:	0.2-1.5 mm ² solid/flexible	
Dimensions:	43 x 44 x 22 mm	
Weight:	31g	45g
Related standards:	EN 60730, EN 63044, EN 300 220, EN 301 489	

Function description

1. Button, impulserelay and time functions of delayed start or return with time setting 2 s-60 min. Any function can be assigned to each output relay.
2. The programming button on the element also serves as a manual input control.

- The switching component with one output relays is used to control appliances and lights. Switches/buttons connected to the wiring can be used for control.
- They can be combined with Detectors, Controllers or iNELS Home Components.
- The BOX-SL version offers installation directly in the installation box, ceiling or cover of the controlled appliance. Easy installation thanks to screwless terminals.
- It allows the connection of switched loads with a total sum of 10 A (2,000 VA).
- The external button is assigned in the same way as the wireless one.
- Each of the outputs can be controlled by up to 12/12 channels (1-channel represents one button on the controller). The programming button on the component also serves as a manual output control.
- Possibility to set the output status memory in case of failure and subsequent power recovery.
- Range up to 200 m (outdoors).
- Communication with bidirectional RFIO3 protocol.
- The contact material of the AgSnO₂ relay enables switching of light ballasts.

Device description



Connection

